

Abbattitori/congelatori
Blast chillers and freezers

BLAST CHILLER/FREEZER 20 GN 1/1 CROSSWISE 56 Kg

PNC	Avv.	Model	Ref.	Page
110203	00/00	Crosswise 20 GN 1/1 Freezer 56 kg 60HZ Zanussi	l	2, 3
110719	34/34	Crosswise 20 GN 1/1 Chiller 56 kg Zanussi	b	2, 3
110723	33/33	Crosswise 20 GN 1/1 Freezer 56 kg Zanussi	a	2, 3
110831	00/00	Crosswise 20 GN 1/1 Chiller 56 kg Zanussi R452A	b	2, 3
110835	00/00	Crosswise 20 GN 1/1 Freezer 56 kg Zanussi R452A	a	2, 3
190052	01/01	Crosswise 20 GN 1/1 Chiller 56 kg Elux Prof	i	2, 3
190CSO	00/00	Crosswise 20 GN 1/1 Chiller 56 kg Elux Prof	j	2, 3
726624	34/34	Crosswise 20 GN 1/1 Chiller 56 kg Elux Prof	d	2, 3
726630	34/34	Crosswise 20 GN 1/1 Freezer 56 kg Elux Prof	c	2, 3
726889	07/07	Crosswise 20 GN 1/1 Freezer 56 kg Elux Prof TK	h	2, 3
727133	23/23	Crosswise 20 GN 1/1 Freezer 56 kg 60HZ Elux Prof	g	2, 3
727588	00/00	Crosswise 20 GN 1/1 Freezer 56 kg 60HZ Elux Prof	m	2, 3
727892	00/00	Crosswise 20 GN 1/1 Chiller 56 kg Elux Prof R452A	d	2, 3
727899	00/00	Crosswise 20 GN 1/1 Freezer 56 kg Elux Prof R452A	c	2, 3
727900	00/00	Crosswise 20 GN 1/1 Freezer 56 kg Elux Prof TK R452A	h	2, 3
728592	35/35	Crosswise 20 GN 1/1 Chiller 56 kg Alpeninox	f	2, 3
728594	35/35	Crosswise 20 GN 1/1 Freezer 56 kg Alpeninox	e	2, 3
728958	00/00	Crosswise 20 GN 1/1 Chiller 56 kg Alpeninox R452A	f	2, 3
728962	00/00	Crosswise 20 GN 1/1 Freezer 56 kg Alpeninox R452A	e	2, 3

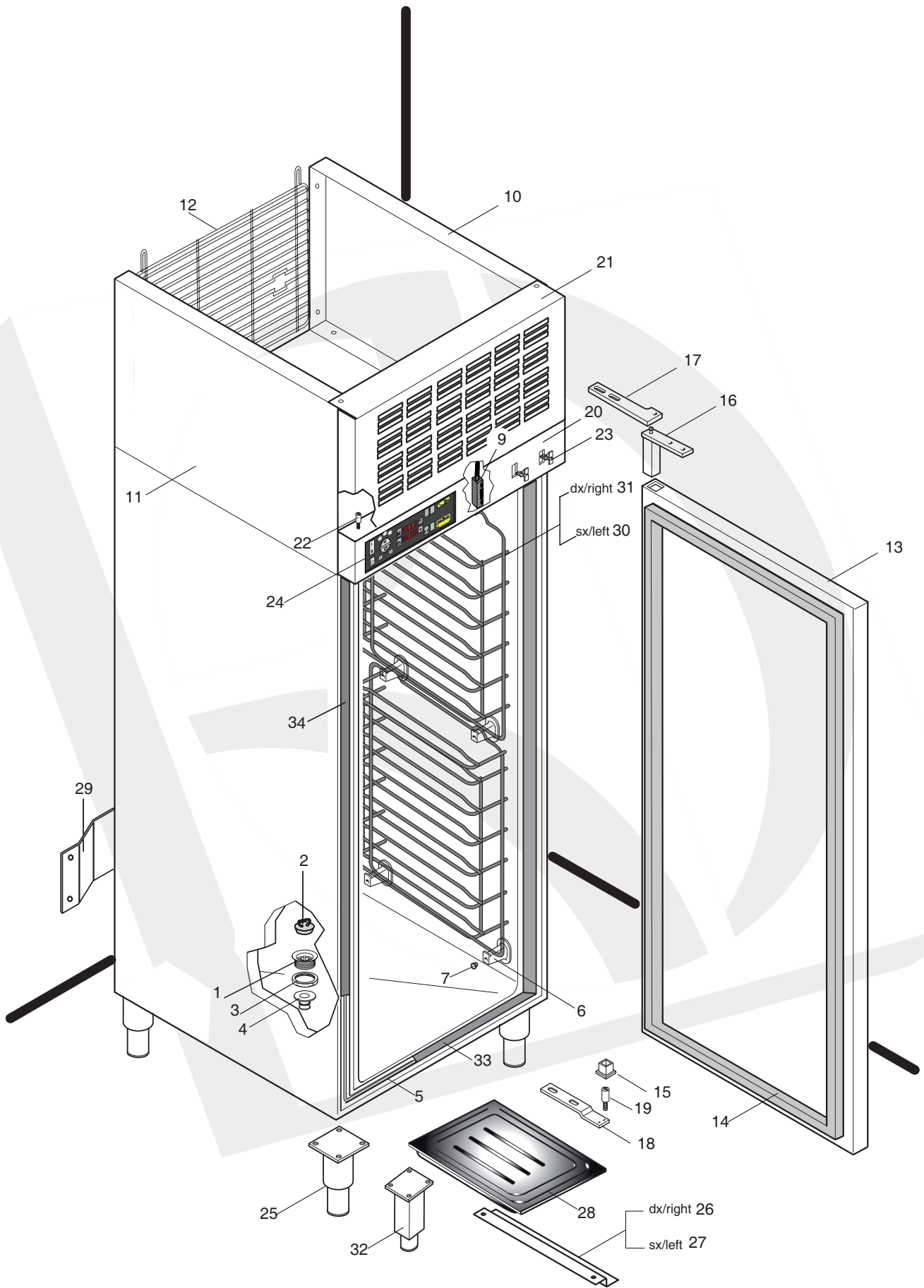
Note: per la corretta identificazione dei componenti, attenersi esclusivamente alle pagine indicate e alla lettera di riferimento.

Note: for the correct identification of the components, follow the indicated pages and the reference letter

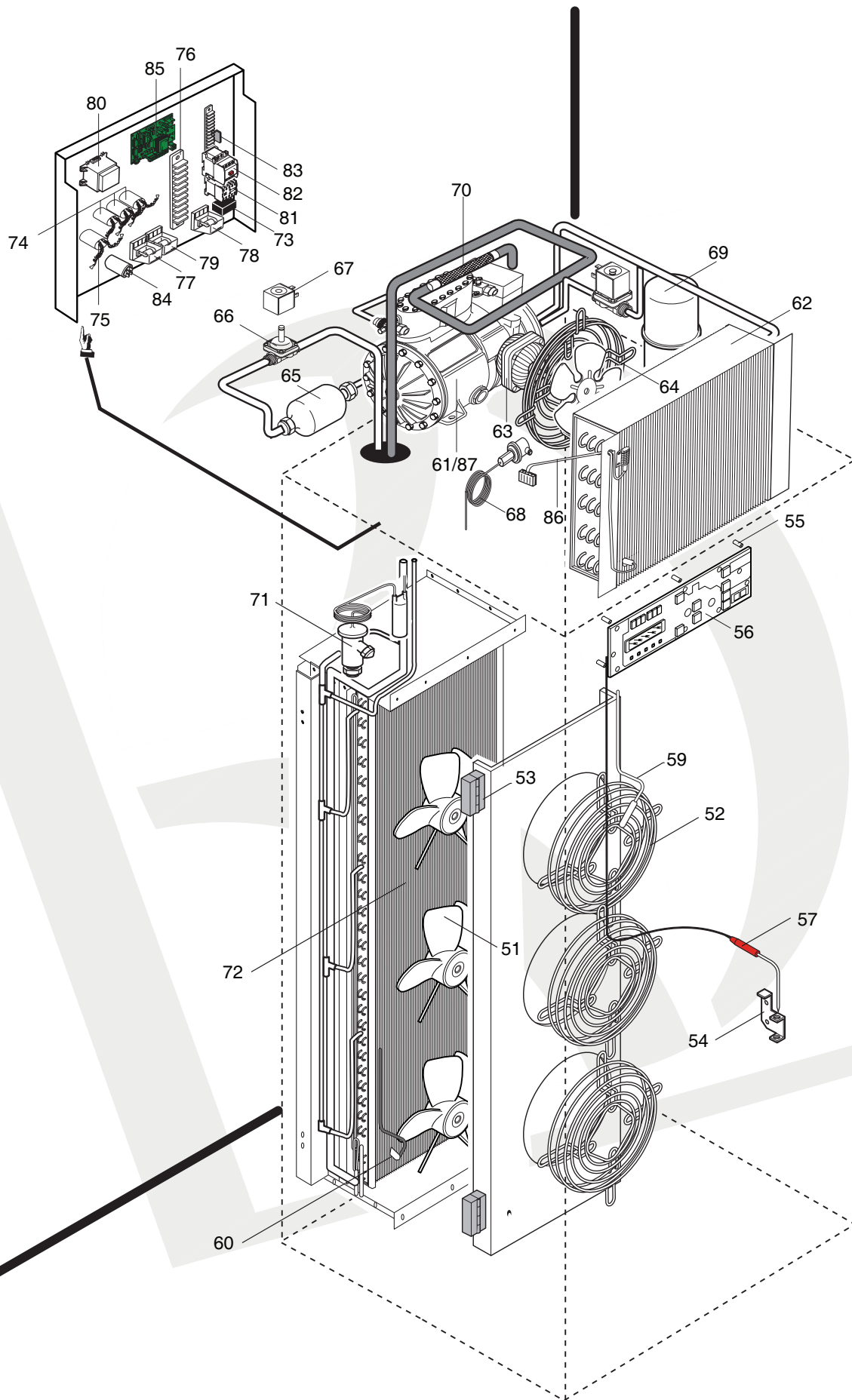
NOTE:

This spare parts catalogue is available from serial n°~03607000.. (08~09/2010)

Pag.	Index	Indice
2	Cabinet and door	Armadio e porta
3	Cooling unit assembly	Gruppo refrigerante
2	Control panel	Pannello comandi
4,5,6	Spare parts list	Lista ricambi



*T.C = turbo cooling



*T.C = turbo cooling

Pos	SP Code	Descrizione	Description	Ref - Note
		Pagina 2	Page 2	
1	083591	Piletta	Pipe	Up to 4281...
1	094255	Piletta	Pipe	From 4291...
2	083886	Tappo	Plug	Up to 5360...
2	093934	Tappo	Plug	From 5370...
3	083592	Controdado 1/2"	Nut 1/2"	Up to 4281...
3	094257	Controdado 1/2"	Nut 1/2"	From 4291...
4	083593	Portagomma	Tube support	Up to 4281...
4	094256	Portagomma	Tube support	From 4291...
5	089953	Cavo riscaldante	Heating cable	a,c,e,g
6	083838	Supporto per struttura	Hook support	
7	083839	Tappo per gancio di supporto	Plug for hook support	
8	090008	Vite ad alette per supporto griglie	Screw for shelves support	
9	049621	Sensore magnetico	Magnetic sensor	
10	099634	Fianchetto superiore dx	Upper right side	
11	099635	Fianchetto superiore sx	Upper left side	
12	099636	Griglia di copertura superiore	Protection upper grid	
13	085771	Porta	Door	
14	099637	Guarnizione magnetica	Magnetic gasket for door	
15	081654	Boccola	Bush for hinge door	
16	082219	Cerniera superiore	Upper hinge	
17	082257	Staffa superiore	Upper bracket	
18	085772	Staffa inferiore	Lower bracket	
19	082962	Perno per cerniera inferiore	Lower pin for hinge	
20	099638	Cruscotto comandi	Comand panel	Up to 2019/48
20	096095	Cruscotto comandi	Comand panel	From 2019/49
21	099640	Pannello condensatore	Condenser panel	
22	088338	Perno per pannello condensatore	Pin for condenser panel	
22	050168	Perno per pannello condensatore	Pin for condenser panel	
23	053342	Molla per marchio	Brand retaining spring	Up to 2019/48
24	091296	Membrana di controllo BCF zan	Stiker control BCF with TC	a up to 2014/15
24	091295	Membrana di controllo BC zan	Stiker control BC with TC	b up to 2014/15
24	091564	Membrana di controllo BCF Elux	Stiker control BCF with TC	c, g, h up to 2014/15
24	091565	Membrana di controllo BC Elux	Stiker control BCF with TC	d up to 2014/15
24	091568	Membrana di controllo BC apx	Stiker control BC with TC	f up to 2014/15
24	091567	Membrana di controllo BCF apx	Stiker control BCF with TC	e up to 2014/15
24	094229	Membrana di controllo BCF zan	Stiker control BCF with TC	a, l from 2014/16 up to 2019/48
24	096090	Membrana di controllo BCF zan	Stiker control BCF with TC	a, l from 2019/49
24	094228	Membrana di controllo BC zan	Stiker control BC with TC	b from 2014/16 up to 2019/48
24	096089	Membrana di controllo BC zan	Stiker control BC with TC	b from 2019/49

*T.C = turbo cooling

Pos	SP Code	Descrizione	Description	Ref - Note
24	094227	Membrana di controllo BCF Elux	Stiker control BCF with TC	c, g, h, m from 2014/16 up to 2019/48
24	096088	Membrana di controllo BCF Elux	Stiker control BCF with TC	c, g, h, m from 2019/49
24	094226	Membrana di controllo BC Elux	Stiker control BCF with TC	d,i from 2014/16 up to 2019/48
24	096087	Membrana di controllo BC Elux	Stiker control BCF with TC	d,i,j from 2019/49
24	094224	Membrana di controllo BC apx	Stiker control BC with TC	f from 2014/16 up to 2019/48
24	096085	Membrana di controllo BC apx	Stiker control BC with TC	f from 2019/49
24	094225	Membrana di controllo BCF apx	Stiker control BCF with TC	e from 2014/16 up to 2019/48
24	096086	Membrana di controllo BCF apx	Stiker control BCF with TC	e from 2019/49
25	048579	Piedino	Foot	a,b,e,c,d,g,i,j
26	082534	Guida dx per bacinella	Right guide for basin	
27	082533	Guida sx per bacinella	Lefth guide for basin	
28	080803	Bacinella	Basin	
29	088468	Distanziale posteriore	Back spacer	
30	099642	Telaio sinistro	Left support for shelves	
31	099643	Telaio destro	Rtight support for shelves	
33	099644	Cornice orizzontale	Orizzontal frame	
34	099645	Cornice verticale	Vertical frame	
		Pagina 3	Page 3	
51	099646	Ventilatore cella	Motor ventilator for cell	
52	099647	Protezione ventilatore	Fan protection (grid)	up to 138070..(2011)
52	093087	Protezione ventilatore	Fan protection (grid)	from to 139070..(2011)
53	090040	Cerniera per carter	Hinge for carter	
54	089860	Supporto sonda spillone	Food probe support	
55	088653	Distanziale per scheda pulsanti	Spacer for board user	
56	092700	Scheda pulsanti new co.tors	User board new co.tors	a,b,e,f,c,d,g,i,j
57	092704	Sonda spillone new co.tors (1se.)	Food probe new co.tors (1sensor)	
*	082118	Clips di fissaggio	Clips	
59	092177	Sonda cella "blu"	Probe cell	
60	092187	Sonda evaporatore "verde"	Evaporator probe	
61	099648	Compressore "dorin H300 cs"	Compressor "dorin H300 cs"	a,c,e
61	091669	Compressore "TFH4531Z"	Compressor "TFH4531Z"	b,d,f,i,j
61	091650	Compressore "dorin H280 cc"	Compressor "dorin H280 cc"	g
62	090021	Condensatore	Condenser	Up to 6201
62	094853	Condensatore	Condenser	From 6211
63	094040	Ass. ventilatore condensatore	Condenser motor ventilator	Up to 6201
63	094829	Ass. ventilatore condensatore	Condenser motor ventilator	From 6211
64	090022	Griglia di protezione ventila. cond.	Protection grid for motor ventilator	Up to 6201

*T.C = turbo cooling

Pos	SP Code	Descrizione	Description	Ref - Note
65	087438	Filtro deidratore	Dehydrator filter	a,c,e,g
65	088201	Filtro deidratore	Dehydrator filter	b,d,f
66	084085	Corpo valvola solenoide	Body for solenoid valve	a,c,e,g
66	088030	Corpo valvola solenoide	Body for solenoid valve	b,d,f
67	088351	Bobina per valvola solenoide	Coil for solenoid valve	a,c,e,g
67	085847	Bobina per valvola solenoide	Coil for solenoid valve	b,d,f up to 2020/26
67	095063	Bobina per valvola solenoide	Coil for solenoid valve	b,d,f from 2020/27
68	085088	Pressostato	Pressostat	Order KIT 097774
69	083468	Recivitore di liquido	Tank	
71	088347	Valvola termostatica	Thermostatic valve	a,c,e,g
71	091717	Valvola termostatica "sporlan"	Thermostatic valve "sporlan"	b,d,f,i
71	646R23800	Valvola termostatica Danfoss	Thermostatic valve Danfoss	j
72	099649	Evaporatore	Evaporator	For BCF up to 6201
72	091695	Evaporatore	Evaporator	For BCF from 6221 For all BC
73	088628	Filtro	Filter	
74	083406	Condensatore 5mf per ventil cella	Capacitor for 5 mf for fan cell	
75	084721	Condensatore 4 mf per ventil con.	Capacitor for 4 mf for fan condenser	Up to 6361
75	083406	Condensatore 4 mf per ventil con.	Capacitor for 4 mf for fan condenser	From 6371
76	088358	Morsettiera	Clamp	
77	088197	Relè 62.83.8.230	Relay 62.83.8.230	
78	083215	Relè 60.62.8.230	Relay 60.62.8.230	a,c,e,g
78	088267	Relè	Relay	i,j
79	056510	Relè 60.63.8.024	Relay 60.63.8.024	
80	087662	Trasformatore	Adaptor	
81	088477	Contattore	Switth	
81	099090	Contattore	Switth	g
82	091707	Interuttore salvamotore	Safety switth	g up to 6201
82	093194	Interuttore salvamotore	Safety switth	g from 6211
82	083508	Interuttore salvamotore	Safety switth	a,c,e
82	083472	Interuttore salvamotore	Safety switth	b,d,f,i,j
82	091706	Interuttore salvamotore	Safety switth	m,l
83	088478	Morsetto porta fusibile	Fuse support	
*	090017	Fusibile 5X20T 4A IMQ/VDE	Fuse 5X20T 4A IMQ/VDE	
84	084987	Filtro elettrico	Electric filter	
85	092854	Scheda principale Rel 1.63	Scheda principale with T.cooling	to be setted
86	088345	Sonda condensatore amb.	Probe room- condenser	up to 038070..(2010)
86	092188	Sonda condensatore amb.	Probe room- condenser	from to 039070..(2010) up to 6401
87	0A8171	Valvola ricarica	Recharge valve	i

*T.C = turbo cooling